



# 40W LED Wall Packs

## Outdoor Non-Cutoff and Semi-Cutoff Wall-Mounted Area Luminaires

### Features & Benefits:

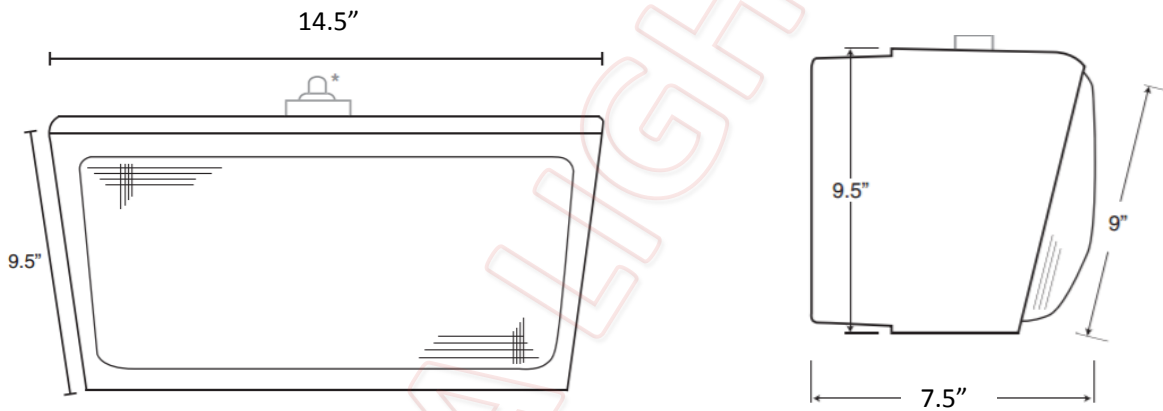
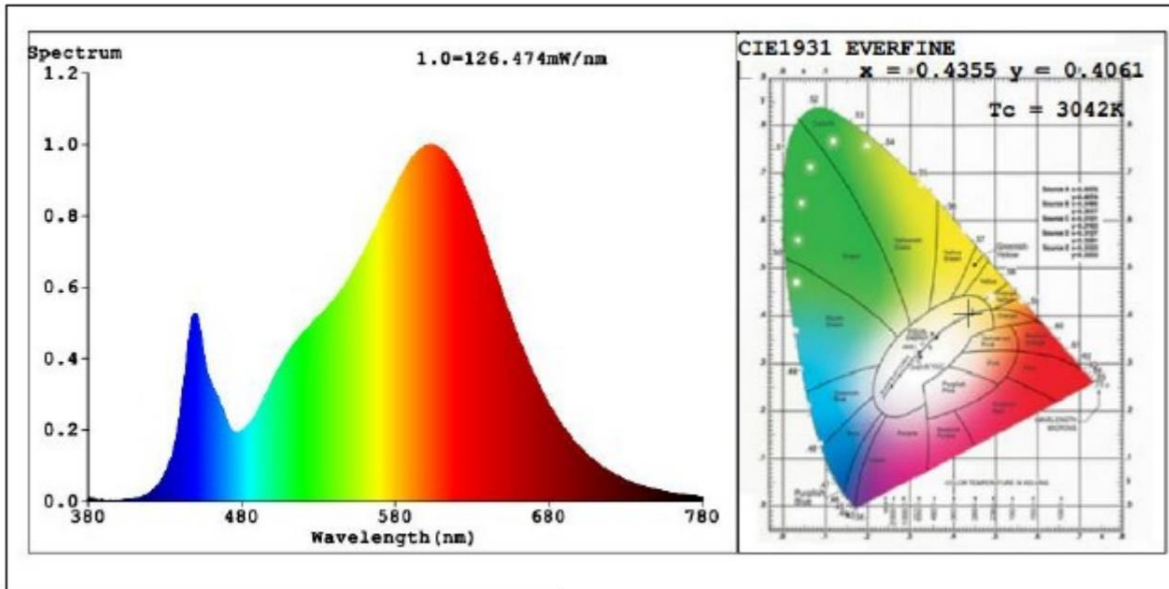
- Great Energy Savings !
- 5-Years | 50,000 Hours Warranty (\*)
- High Power Factor – UL Listed Driver
- Bright – High CRI – High Lumen Output
- Built-in Surge Suppressors & Protection
- CCT 5,000K ideal for MH Lamps Replacement



Model	Product	Power	Flux	Equivalent
WP-40W-55K-277V	LED Wall Pack 40W 110° 120-277VAC	(W) 14¼" (H) 9¼" (D) 7¾"	40W	4,400lm

- 120-277Vac ~50/60Hz • Pigtail Wire • P.F. > 0.9 • THD < 20% •
- "55K" = CCT 5000K ±10% • CRI ≈ 75 • ~124 lm/W •
- (\*) Rated Life > 50,000 Hrs. (L<sub>70</sub> B<sub>50</sub>) at T<sub>A</sub> 25°C Max. •

# 40W LED Wall Pack



Model	Product	Power	Equivalent
WP-40W-55K-277V	Wall Pack LED Fixture 40W CCT 5500K	40W	175W MH Lamp
Input Voltage	Power/Power Factor	Efficacy	Flux
"277V": 120-277Vac ~50/60Hz "480V": 208-480Vac ~50/60Hz	40W Max. P.F. ≈ 0.97	~110 lm/W	4,400 Lumen
Color Rendering	Color Temperature	Beam Angle	Life
CRI ÷ 75~80	CCT 5500K ±10%	110°	50,000 Hours (L <sub>70</sub> B <sub>50</sub> ) T <sub>[A]</sub> 25°C Max.